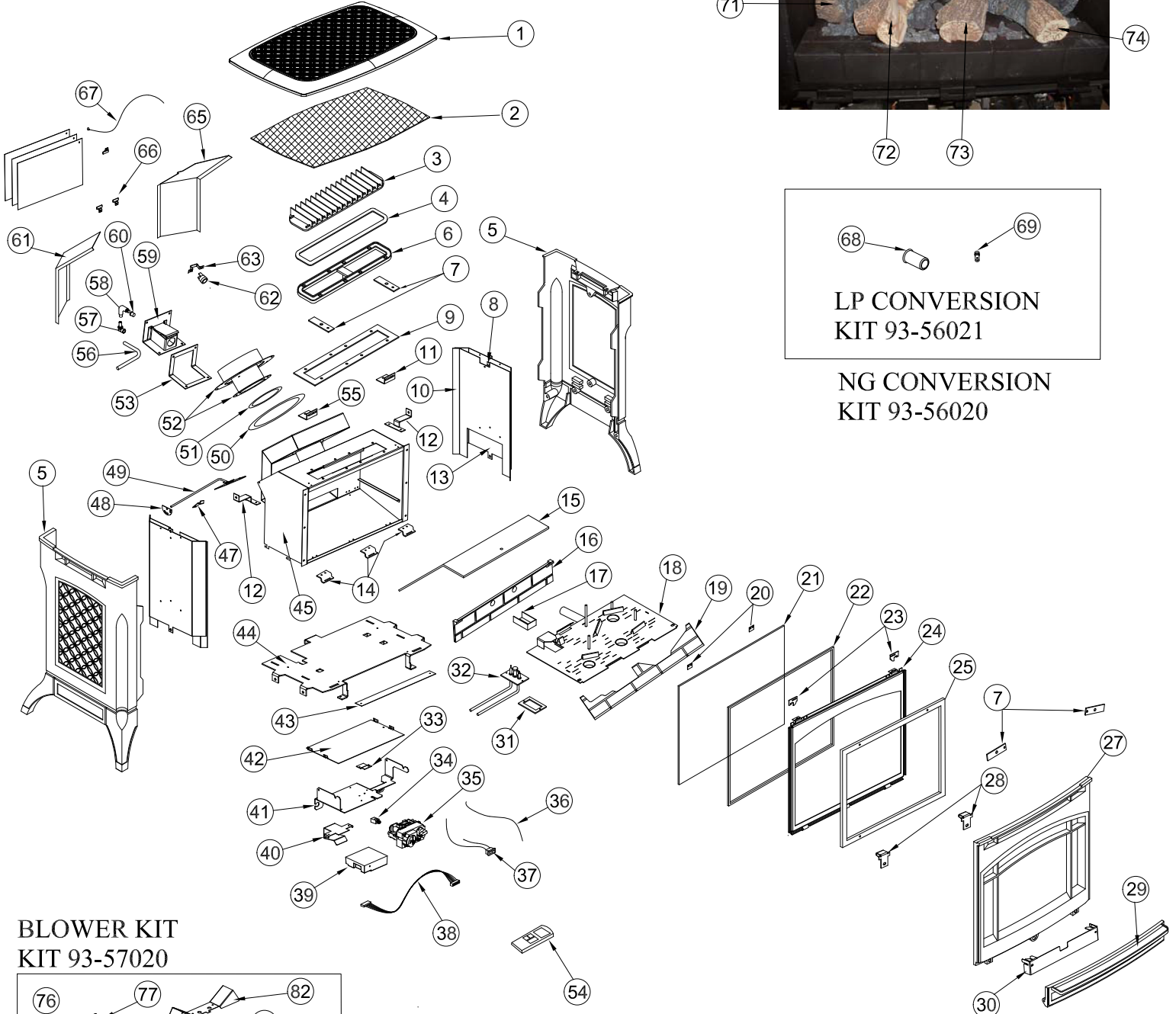
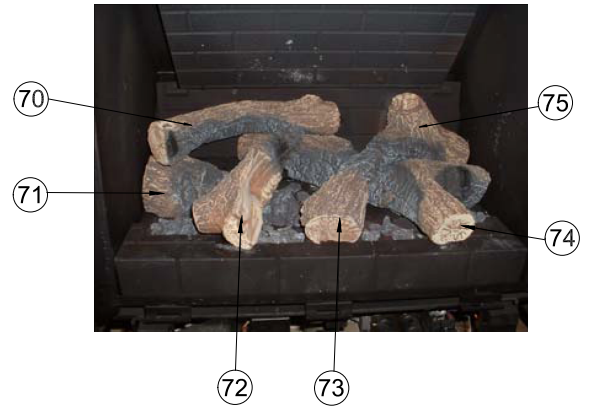


Model: Champlain 8302
 Illustrated Parts List
 Revision: October 28, 2015

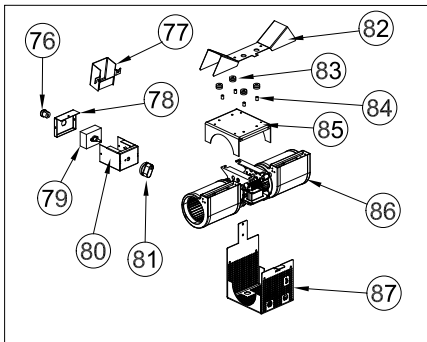
LOG SET 93-66020



LP CONVERSION
KIT 93-56021

NG CONVERSION
KIT 93-56020

BLOWER KIT KIT 93-57020





Model: Champlain Mdl.# 8302

Production: June 22, 2015

Serial #: 23000 -

Note: Specify color for enameled cast iron parts.

Key	Part #	Description	QTY.
1	2310-040	TOP: MATTE, CHA 2	1
2	5302-245	SCREEN: TOP, CHA 2	1
3	2310-860	HEAT EXCHANGER: CHA/STO/TUC DV/SAN	1
4	3160-070	GASKET:TAPE 5/8" X 1/4"(G100RPB11-05-SP)	2.83 FT
5	2310-340	SIDE: MATTE,CHA	2
6	2310-850	HEAT EXCHANGER:BASE,CHA/STO/TUC DV/SAN	1
7	5302-118	LIMITER: BLAST,CHA 2	4
8	5323-032	SPACER: HEATSHIELD, SIDE, STO 3	4
9	3160-150	GASKET:HEAT EX,4"x14.5	1
10	5302-031	HEATSHIELD: SIDE, INNER, CHA 2	2
11	5300-106	CLIP: GLASS, TOP, RIGHT, CHA	1
12	5302-235	BRACKET: TOP SIDE, CHA 2	2
13	5300-030	HEATSHIELD: SIDE, OUTER, CHA	2
14	5300-102	CLIP: GLASS, BOTTOM, CHA	3
15	2310-240	BAFFLE: FIREBOX, CHA 1/SAN 1 DV	1
16	2310-015	PANEL: "BRICK", REAR, CHA 1/SAN 1 DV	1
17	5301-035	SHIELD: PILOT, CHA 1/SAN 1 DV	1
18	7211-221	BURNER: CHA 1/SAN 1 DV	1
19	2310-020	PANEL: "BRICK", FRONT, CHA 1/SAN 1 DV	1
20	5870-095	CLIP: GLASS, BLACK OXIDE, CHA/STO/DVI 32,	2
21	3030-036	GLASS:14-7/32"x18-35/64"x5mm, CHA(EZ-O	1
22	3110-071	GASKET: TAPE, 1"x1/8", AD (988/SPOO	5.66 FT
23	5870-092	CLIP: FRAME, GLASS RET. B.O., CHA/STO/DVI	2
24	5300-108	FRAME: GLASS RETAINER, CHA	1
25	5302-030	SCREEN: SAFETY, FRONT GLASS, CHA 2	1
27	2310-440	FRONT: MATTE, CHA	1
28	5302-025	BRACKET: FRONT CAST, CHA 2	2
29	2310-442	DOOR: ASH LIP, MATTE, CHA	1
30	5302-020	BRACKET: ASH LIP, CHA 2	1
31	3160-152	GASKET: PILOT, 1.75"x3"	1
32	7211-332	PILOT: NG ASS'Y, IPI, PSE (PSE-C7-542)	1
33	5323-015	VALVE SUPP CLIP, STO 3/CHA 2/BRI 3/WAI	1
34	7000-027	INTERRUPTER: THRM CPL, MAX (G60-ZUS32)	1
35	7211-308	VALVE: NG, MAX, TAPPED (GV60M1-B5C3GL-0032)	1
36	7000-029	WIRE: INTERRUPT, TC, MAX (G60-ZKIRS/500)	1
37	7000-028	WIRE: INTERRUPT, SW, MAX (G60-ZSKSS/500)	1
38	7000-044	WIRE HARNESS: 8 WIRE, MAX, 500MM (G6R-C5)	1
39	7000-381	BOARD: GV60 RCV, MAX, (G6R-R3AU)	1
40	5323-030	BRACKET: CNTRL BOARD, STO, CHA, BRI, WAI	1
41	5323-010	BRACKET: VALVE MOUNT, STO, CHA, BRI, WAI	1
42	5323-020	HEATSHIELD: BOTTOM, STO, CHA, BRI, WAI	1
43	5302-018	BLINDER STRIP, CHA 2	1

Key	Part #	Description	QTY.
44	5302-015	BASE: CHA 2, STEEL	1
45	5302-010	FIREBOX: CHA 2	1
47	5301-080	CLIP: RESTRICTOR,CHA 1/SAN 1 DV	1
48	5301-070	INDICATOR: RESTRICT PLATE,CHA 1/SAN 1 DV	1
49	5301-060	PLATE: RESTRICTOR,CHA 1/SAN 1 DV	1
50	3160-157	GASKET: INLET,6-1/2"x9-5/16",CHA/STO/	1
51	3160-155	GASKET: EXIT,4"x6",STO/TUC DV/TRI DV/	1
52	5701-925H	COLLAR: INLET/EXIT,4"x5-1/8",TRIBUTE/CHA	1
53	3160-300	GASKET: AIR CONTROL,CHA/STO/TUC&SAN DV	1
54	7000-360	REMOTE: MAX, GV60, US (G6R-H3TV4)	1
55	5300-104	CLIP: GLASS, TOP, LEFT, CHA	1
56	7211-018	TUBE: GAS, FLEX, 3/8"x12", 321/78/05(T6-1	1
57	7211-020	FITTING: 90deg, ELBOW, 3/8-27Mx3/8"CMP	1
58	7211-023	FITTING: 90deg, ELBOW, 3/8-27Fx3/8"CMP	1
59	5301-030	CONTROL: AIR, PRIMARY, CHA/STO/TUC&SAN DV	1
60	7200-351	ORIFICE: BURNER, SPUD, #51	1
61	5302-040	HEATSHIELD: REAR, LEFT, CHA 2	1
62	7000-301	SWITCH: T'STAT, BLOWER, TUC 1/WIN/DVI 32	1
63	5870-022	STRAP: T'STAT SWITCH, DVI 32/TUC 1 DV	1
65	5302-050	HEATSHIELD: REAR, RIGHT, CHA 2	1
66	5021-060	CLIP: GLASS, HER 1/TRI	3
67	5570-030	CABLE: LABEL, 1/16"Dx12", 2 EYES, HOM/DV	1
93-56020 NG COVNERSSION KIT (Contains the Following)			
	7200-332	ORIFICE: BURNER, SPUD, #32	1
	7211-176	ORIFICE: VALVE, NG, ADJUSTABLE, MAXITROL	1
93-56201 LP COVNERSSION KIT (Contains the Following)			
60	7200-351	ORIFICE: BURNER, SPUD, #51	1
69	7211-172	ORIFICE: VALVE, LP, #160, MAXITROL	1
93-66020 LOG SET: 6 PIECE, CHA (Contains the Following)			
70	7211-605	REAR LOG TOP	1
71	7211-604	BOTTOM LEFT LOG	1
72	7211-606	FRONT TOP LOG	1
73	7211-603	FRONT CENTER LOG	1
74	7211-601	BOTTOM RIGHT LOG	1
75	7211-602	REAR RIGHT LOG	1
93-57020 BLOWER KIT: CHA2 (8302), CHA3 (8303) (Contains the Following)			
76	7200-114	STRAIN RELIEF: 6N3-4 (#1200)	1
77	5970-110	SHIELD: T'STAT, TUC 1 DV	1
78	5950-761	COVER: RHEOSTAT BOX, BLOWER, SAN	1
79	7200-601	CONTROL: MOTOR, AC, VARIABLE SPEED, BLOWERS	1
80	7200-602	KNOB: FAN CONTROL	1
80	5950-760	BOX: RHEOSTAT, BLOWER, SAN	1
82	5930-210	DEFLECTOR: BLOWER, AIR, CHA 2	1
83	7000-130	GROMMET: SIL.45" PANELX.25"ID, M-633, EQU	4
84	5491-090	BUSHING: 3/16IDx.375 (MCMMASTER 93441A175)	4
85	5932-315	HOUSING: BLOWER, UPPER, STO 3	1
86	7211-600	FAN: BLOWER, ASSY, TUC 2, CHA 2, STO 3	1
87	5930-205	HOUSING: BLOWER, LOWER, CHA 2	1